

### ONYX Shutters Order Form

Page :        of

<b>Customer Information</b>			<b>Ship Method</b>	OFFICE USE ONJLY
Customer ID:			<input type="checkbox"/> Install	
PO No.:			<input type="checkbox"/> Ship	
Side Mark:	Order Date:		<input type="checkbox"/> Will Call	

Basswood         Poplar         Vinyl

Line	Qty	Room	Shutter Type <small>Regular By Pass Bi Fold French Dr</small>	Size <small>W = Window Size F = Frame to Frame</small>		Mnt Type <small>IM / OM</small>	Frame Type	Louver size <small>2-1/2" 3 1/2" 4 1/2"</small>	Color	Hinge Color <small>Match Anti-Brass Bri-Brass Nickle ORB</small>	No. of Sides <small>4 3 2 3SP 3FC 3 Invert</small>	Panel Configuration	T-Post <small>From Left to Center of T</small>		Divider Rail	Extension <small>1/2" 1" 1-1/2" 2"</small>	Hidden Rod	AstraGal	Note	
				W/F	Width								Height	T1						T2

Color Option: (Painted) White, Snow, Swiss Coffee, Creamy, Butter, (Stained) Nature, Honey, Oak, Rose, Mahogany, Java, Black Walnut  
 Frame Option: (Wood) L, L Bullnose, Z Trim, Z Fine, Z Crown, Décor 2", Décor 3"        (Vinyl) VL, VZ Small, VZ Large

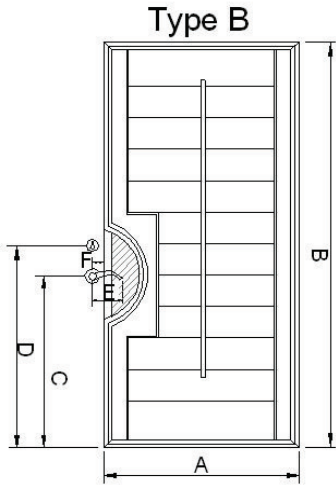
## French Doors Order Form ( L Frame Only )

Customer ID : \_\_\_\_\_

Side Mark: \_\_\_\_\_

Item: \_\_\_\_\_

Room: \_\_\_\_\_



### Type B (Half Circle Cut Out)

Open (Hinge On) :       Left                       Right

A (Window glass width or trim to trim + 3 ½")                      = \_\_\_\_\_

B (Window glass height or trim to trim+ 3 ½")                      = \_\_\_\_\_

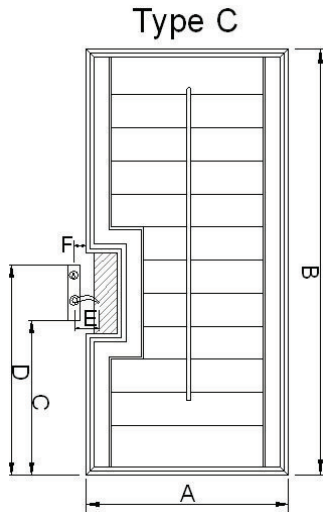
C (Window bottom edge to center of handle + 1 ¾")                      = \_\_\_\_\_

D (Window bottom edge to center of lock + 1 ¾")                      = \_\_\_\_\_

E (Handle length)                      = \_\_\_\_\_

F (Center of handle to the edge of window – 1 ¾")                      = \_\_\_\_\_  
This number can be a negative value

Window Trim Projection or Thickness (If it applies)                      = \_\_\_\_\_



### Type C (Rectangular Cut Out on Rectangular Plate)

Open (Hinge On) :       Left                       Right

A (Window glass width or trim to trim + 3 ½")                      = \_\_\_\_\_

B (Window glass height or trim to trim+ 3 ½")                      = \_\_\_\_\_

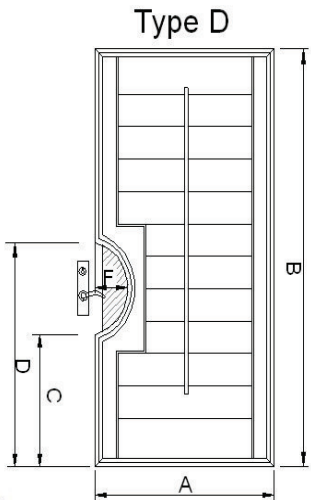
C (Window bottom edge to bottom of plate + 1 ¾")                      = \_\_\_\_\_

D (Window bottom edge to top of plate + 1 ¾")                      = \_\_\_\_\_

E (Handle length)                      = \_\_\_\_\_

F (Center of handle to the edge of window – 1 ¾")                      = \_\_\_\_\_  
This number can be a negative value

Window Trim Projection or Thickness (If it applies)                      = \_\_\_\_\_



### Type D (Half Circle Cut Out on Rectangular Plate)

Open (Hinge On) :       Left                       Right

A (Window glass width or trim to trim + 3 ½")                      = \_\_\_\_\_

B (Window glass height or trim to trim+ 3 ½")                      = \_\_\_\_\_

C (Window bottom edge to cut out bottom + 1 ¾")                      = \_\_\_\_\_

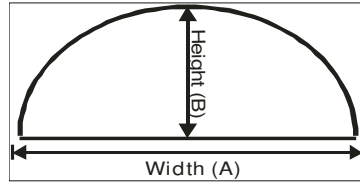
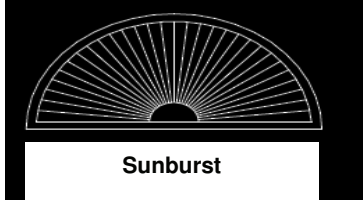
D (Window bottom edge to cut out top + 1 ¾")                      = \_\_\_\_\_

F (Cut out depth from outside edge of frame)                      = \_\_\_\_\_  
Leave enough clearance from handle to cut out

Window Trim Projection or Thickness (If it applies)                      = \_\_\_\_\_

Company Name : \_\_\_\_\_

PO Number : \_\_\_\_\_ Side Mark: \_\_\_\_\_

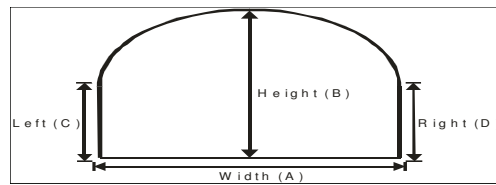
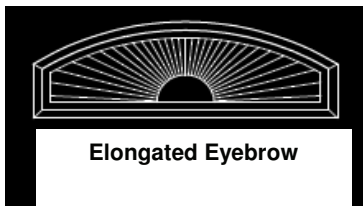


Item \_\_\_\_\_

Room \_\_\_\_\_

Width (A) \_\_\_\_\_

Height (B) \_\_\_\_\_



Item \_\_\_\_\_

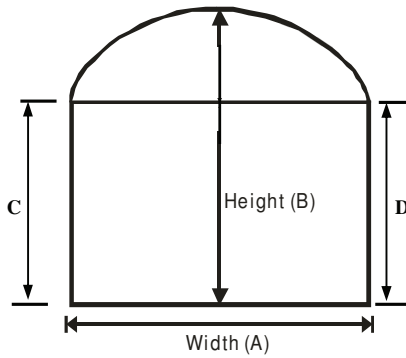
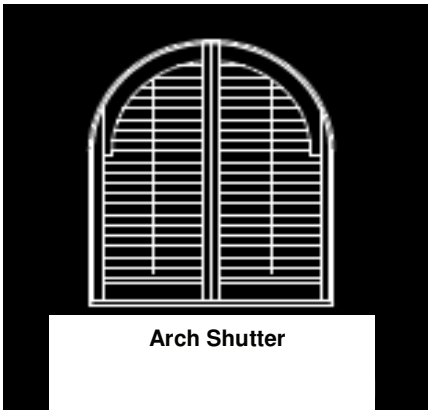
Room \_\_\_\_\_

Width (A) \_\_\_\_\_

Height (B) \_\_\_\_\_

Left Leg (C) \_\_\_\_\_

Right Leg (D) \_\_\_\_\_



Item \_\_\_\_\_

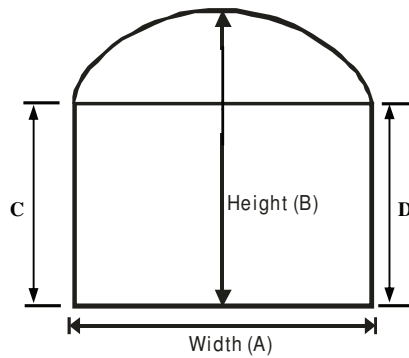
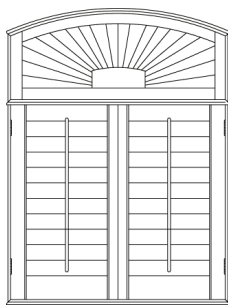
Room \_\_\_\_\_

Width (A) \_\_\_\_\_

Height (B) \_\_\_\_\_

Left Leg (C) \_\_\_\_\_

Right Leg (D) \_\_\_\_\_



Item \_\_\_\_\_

Room \_\_\_\_\_

Width (A) \_\_\_\_\_

Height (B) \_\_\_\_\_

Left Leg (C) \_\_\_\_\_

Right Leg (D) \_\_\_\_\_