

ONYX Shutters Order Form

Customer Information		Ship Method	OFFICE USE ONJLY
Customer ID:		<input type="checkbox"/> Install	
PO No.:		<input type="checkbox"/> Ship	
Side Mark:	Order Date:	<input type="checkbox"/> Will Call	

 Basswood **Poplar** **Vinyl**

L i n e	Q t y	Room	Shutter Type Regular By Pass Bi Fold French Dr	Size		Mnt Type IM / OM	Frame Type	Louver size 2-1/2" 3 1/2" 4 1/2"	Color	Hinge Color Match Anti-Brass Bri-Brass Nickle ORB	No. of Sides 4 3 2 3SP 3FC 3 Invert	Panel Configuration	T-Post		Divider Rail	Exten sion 1/2" 1" 1-1/2" 2"	Hidd en Rod	A s t r a g a l	Note
				W = Window Size F = Frame to Frame									From Left to Center of T						
				W / F	Width								Height	T1					

Color Option: (Painted) White, Snow, Swiss Coffee, Creamy, Butter, (Stained) Nature, Honey, Oak, Rose, Mahogany, Java, Black Walnut

Frame Option: (Wood) L, L Bullnose, Z Trim, Z Fine, Z Crown, Décor 2", Décor 3" (Vinyl) VL, VZ Small, VZ Large

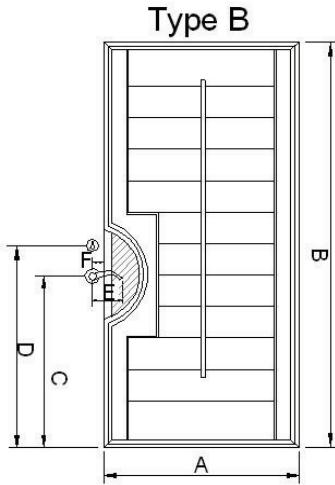
French Doors Order Form (L Frame Only)

Customer ID : _____

Side Mark: _____

Item: _____

Room: _____



Type B (Half Circle Cut Out)

Open (Hinge On) : Left Right

A (Window glass width or trim to trim + 3 ½") = _____

B (Window glass height or trim to trim+ 3 ½") = _____

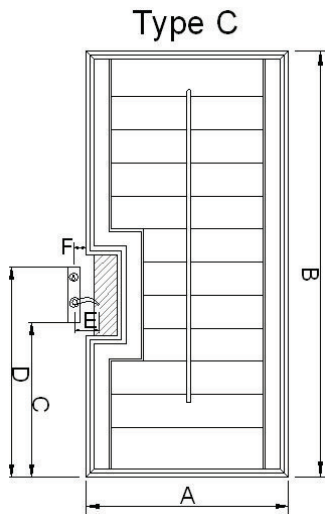
C (Window bottom edge to center of handle + 1 ¾") = _____

D (Window bottom edge to center of lock + 1 ¾") = _____

E (Handle length) = _____

F (Center of handle to the edge of window – 1 ¾") = _____
This number can be a negative value

Window Trim Projection or Thickness (If it applies) = _____



Type C (Rectangular Cut Out on Rectangular Plate)

Open (Hinge On) : Left Right

A (Window glass width or trim to trim + 3 ½") = _____

B (Window glass height or trim to trim+ 3 ½") = _____

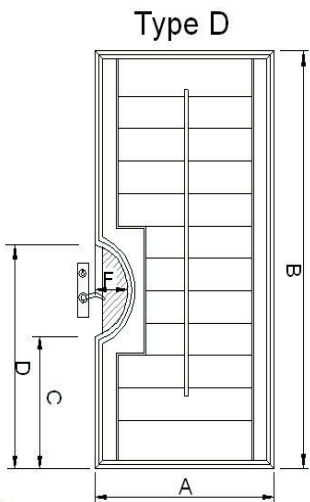
C (Window bottom edge to bottom of plate + 1 ¾") = _____

D (Window bottom edge to top of plate + 1 ¾") = _____

E (Handle length) = _____

F (Center of handle to the edge of window – 1 ¾") = _____
This number can be a negative value

Window Trim Projection or Thickness (If it applies) = _____



Type D (Half Circle Cut Out on Rectangular Plate)

Open (Hinge On) : Left Right

A (Window glass width or trim to trim + 3 ½") = _____

B (Window glass height or trim to trim+ 3 ½") = _____

C (Window bottom edge to cut out bottom + 1 ¾") = _____

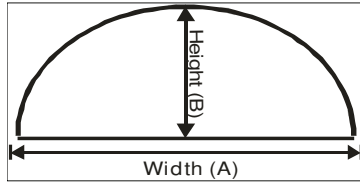
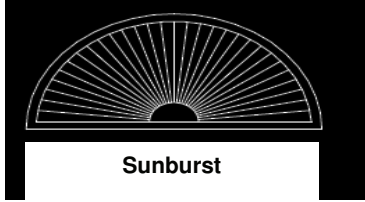
D (Window bottom edge to cut out top + 1 ¾") = _____

F (Cut out depth from outside edge of frame) = _____
Leave enough clearance from handle to cut out

Window Trim Projection or Thickness (If it applies) = _____

Company Name : _____

PO Number : _____ Side Mark: _____

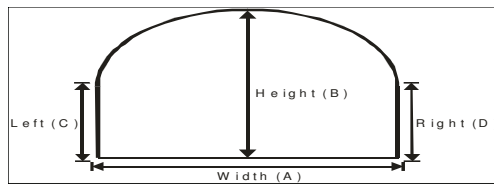
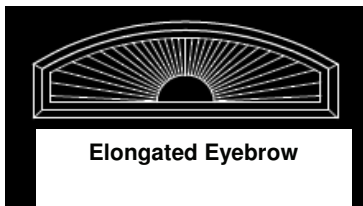


Item _____

Room _____

Width (A) _____

Height (B) _____



Item _____

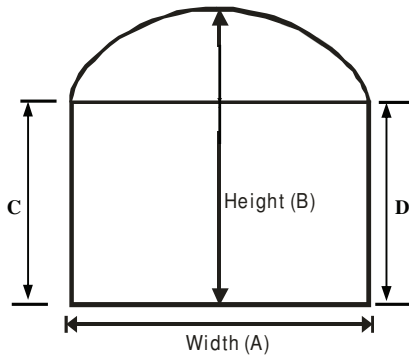
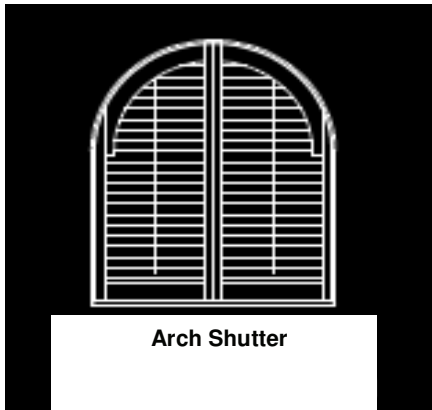
Room _____

Width (A) _____

Height (B) _____

Left Leg (C) _____

Right Leg (D) _____



Item _____

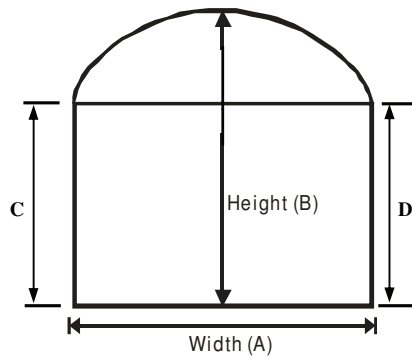
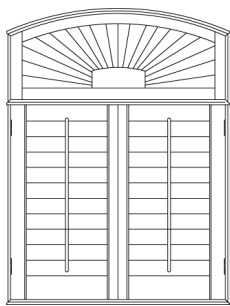
Room _____

Width (A) _____

Height (B) _____

Left Leg (C) _____

Right Leg (D) _____



Item _____

Room _____

Width (A) _____

Height (B) _____

Left Leg (C) _____

Right Leg (D) _____